

INVERTER AIR CONDITIONING FOR LIGHT COMMERCIAL USE

What you'll find inside:

- Cassette Type
- Ducted Type
- Ceiling Type
- Hi Wall Type
- Controllers

+
Effective
air filtration

+
Energy
efficient

+
Digital
Inverter

TOSHIBA

AIR CONDITIONING



When technology meets comfort

Toshiba was the first company to incorporate inverter technology into air conditioning systems in 1981 and since then it has maintained a technological advantage over its competitors.

The development of the exclusive DC Hybrid Twin-Rotary Inverter Compressor system has reaffirmed this ability to innovate and maintain technological leadership in a very crowded market. But for Toshiba, innovation also means a strong commitment to international institutions that carefully evaluate the impact of new technologies on our environment.

Toshiba combines technological development with care for future generations – the result is a range of energy-efficient air conditioners, reducing greenhouse gas emissions at the source.



Toshiba Air Conditioning

Toshiba Air Conditioning is committed to delivering the highest standard of quality and innovation across our product range and services. For more than 40 years Toshiba Air Conditioning has led the world in creating better air conditioning and setting new standards in comfort, ease of use, energy efficiency and climate control.

The Toshiba Air Conditioning product range encompasses a comprehensive Inverter range to suit residential and light commercial applications. Toshiba Inverter systems provide excellent energy efficiency, are reliable and run on R410A non-ozone depleting refrigerant.



SDI Series 4

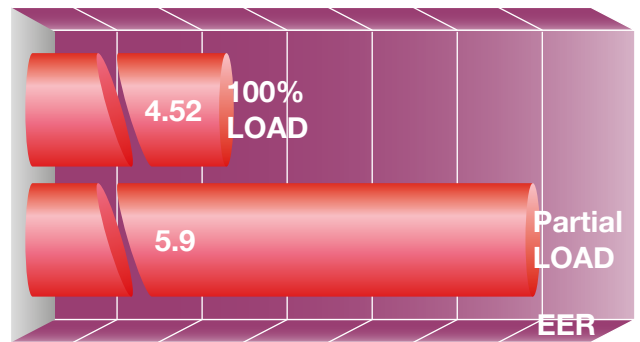
Enhanced Energy Efficiency (RAV-SP1104AT-A2, RAV-SP1404AT-A2)

Excellent efficiency, not only below rated EER conditions, but also during partial load, which is the larger part of actual operating conditions.

In addition to achieving a top ranking during 100% load (rated) conditions...

For most of the year, the air conditioner (cooler) operates while the outdoor temperature is less than 30°C.

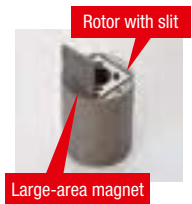
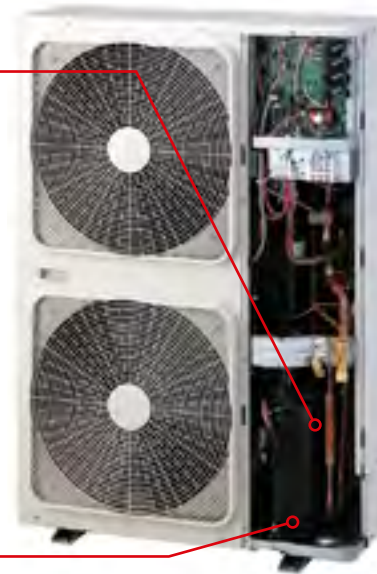
At this time, the air conditioner load is approximately 50%, and at this level the EER is significantly greater than during rated conditions. This indicates energy efficiency in a way that cannot be expressed using just the rated energy consumption rate.



Equipped with a eco-driving DC twin rotary compressor

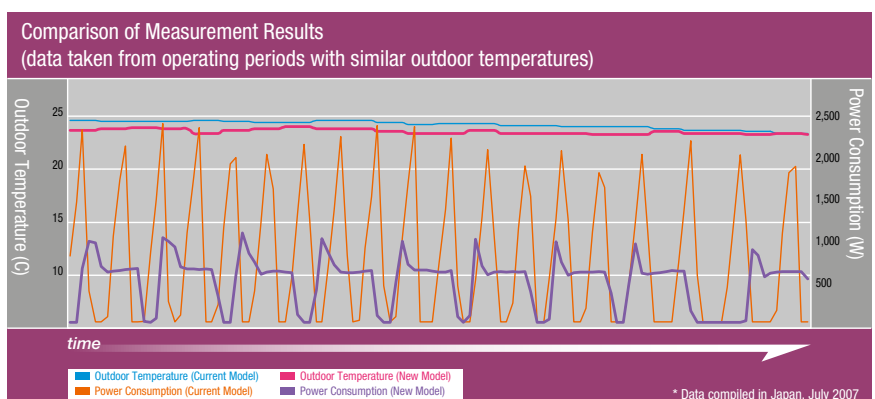
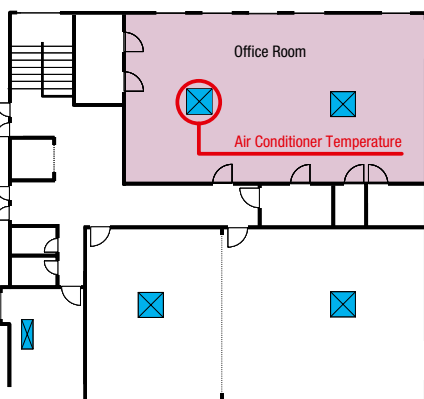
A low minimum speed of 10rps has been achieved. This has further improved the operating efficiency when the load is low (the minimum in Series 2 was 15rps).

The structure and shape of each compressor component has been optimised. The area of the rotor magnet has been increased and a slit introduced to the design. These improvements have further enhanced efficiency and reduced noise.



10rps Operation Verification Test

To compare operating efficiency under low load operating conditions, field tests were performed where the outdoor temperature was approximately 24°C. This is about the same as when the air conditioning is set to room temperature. Measurements were taken that demonstrated that the energy consumption of the new model was 30% less than the current model (equivalent to the areas enclosed by the energy consumption curves along the time axis).



* Data compiled in Japan, July 2007

Line up



SDI Series Single Phase

RAV-SP564ATP-A1*

RAV-SP804ATP-A1*

RAV-SP1104AT-A2*

RAV-SP1404AT-A2*

| | | | | | |
|--------------------------------|--|----------------|----------------|-----------------|-----------------|
| Compact 4-way Cassette Type | | RAV-SM564MUT-E | — | — | — |
| 4-way Cassette Type | | RAV-SM564UTP-E | RAV-SM804UTP-E | RAV-SM1104UTP-E | RAV-SM1404UTP-E |
| Ducted Type | | RAV-SM566BTP-E | RAV-SM806BTP-E | RAV-SM1106BTP-E | RAV-SM1406BTP-E |
| Ceiling Type | | RAV-SM568CTP-E | RAV-SM808CTP-E | RAV-SM1108CTP-E | RAV-SM1408CTP-E |
| Hi-Wall Type | | RAV-SM566KRT-A | RAV-SM806KRT-A | — | — |



SDI Series Three Phase

RAV-SP1404AT8-A1*

RAV-SP1604AT8-A1*

| | | | |
|---------------------|--|-----------------|-----------------|
| 4-way Cassette Type | | RAV-SM1404UTP-E | RAV-SM1604UTP-E |
| Ducted Type | | RAV-SM1406BTP-E | — |
| Ceiling Type | | RAV-SM1408CTP-E | RAV-SM1608CTP-E |



DI Series Single Phase

RAV-SM564ATP-A1*

RAV-SM804AT-A1*

RAV-SM1104ATP-A1*

RAV-SM1404ATP-A1*

RAV-SM1603AT-A1*

| | | | | | | |
|---------------------|--|----------------|----------------|-----------------|-----------------|-----------------|
| 4-way Cassette Type | | RAV-SM564UTP-E | RAV-SM804UTP-E | RAV-SM1104UTP-E | RAV-SM1404UTP-E | RAV-SM1604UTP-E |
|---------------------|--|----------------|----------------|-----------------|-----------------|-----------------|



DI Series Single Phase

RAV-SM304ATP-A

RAV-SM404ATP-A

RAV-SM564ATP-A1

RAV-SM804ATP-A1

| | | | | | |
|------------------|--|-----------------|-----------------|----------------|----------------|
| Hi-Wall Type | | RAV-SM307KRTP-A | RAV-SM407KRTP-A | RAV-SM566KRT-A | RAV-SM806KRT-A |
| Compact Cassette | | RAV-SM304MUT-E | RAV-SM404MUT-E | — | — |

Compact 4-way Cassette Type



Model

- RAV-SM564MUT-E
- RAV-SM304MUT-E
- RAV-SM404MUT-E

Panel

- RBC-UM11PG(W)-E



Perfect for grid system ceiling

1. This compact unit (575mm x 575mm) fits perfectly into ceilings and matches standard architectural modules, without the need to cut ceiling tiles.
2. The compact & stylish panel design is ideal for fashionable restaurants, shops and offices.
3. The louvers fold tightly against the ceiling when its operation stops.

Designed for simple & easy installation and maintenance

1. The slim design is only 268mm in height allowing it to blend into the surrounding environment neatly.
2. The ceiling type offers easy installation and maintenance, since the electrical box is located inside the unit.
3. Easy installation can also be achieved using the panel adjust pocket.
4. Long drain pump height of 850mm.
5. Available for ceilings up to 3.5m.
6. The drain-check viewing cavity makes it possible to view the drain pan.



Drain-check viewing cavity

Comfort



Inverter
Allows step-less regulation of the air-conditioner's power, which reduces energy consumption and improves comfort.



Long-life Filter
Built-in long-life filter makes maintenance easier.



Auto-turn Louvres
Air outlet grilles move automatically to fill every corner of the room with warm or cool air.



Hot Start
When using the heater for preheating or defrosting, stops the indoor fan to prevent cold air from being blown into the room.



Automatic Air Volume Control
Depending on the difference between the room temperature and the set temperature, switches automatically between High, Low and Very Low.



Automatic Cooling/Heating
Automatically switches between cooling and heating mode.



Dry
Gradually dehumidifies the room to create even greater comfort.

Operational



Filter Sign
Automatic displays on the remote controller say when to perform maintenance for the indoor unit filter.



Limit Timer
Uses a 168-hour timer with three modes — "ON timer", "OFF timer" and "Repeat OFF timer".

Installation



Cooling Capacity with an Outdoor Temperature of -15°C
Stable cooler operation is possible when the outdoor temperature is as low as -15°C.



Built-in Drain Pump
The built-in drain pump makes draining easier. (In the ceiling cassette type, it is built in to the main unit.)

Compact 4-way Cassette Type - Single Phase

| MODEL NUMBER - SYSTEM | | | SDI Single Phase | DI Single Phase | |
|-----------------------|---|------------|------------------|-----------------|-----------------|
| INDOOR | | | RAV-SM564MUT-E | RAV-SM304MUT-E | RAV-SM404MUT-E |
| OUTDOOR | | | RAV-SP564ATP-A1 | RAV-SM304ATP-A | RAV-SM404ATP-A |
| REFRIGERANT TYPE | | | R410A | R410A | R410A |
| POWER SUPPLY | | | 220-240V/1/50Hz | 220-240V/1/50Hz | 220-240V/1/50Hz |
| COOLING | Capacity - Rated | kW | 4.7 | 2.5 | 3.6 |
| | Capacity - Range (min ~ max) | kW | 1.2~5.6 | 0.9~3.0 | 0.9~4.0 |
| | Efficiency (rated) | EER | 3.38 | 4.24 | 4.00 |
| | Power Input (min - rated ~ max) | kW | 0.21~1.39~ 2.29 | 0.25~0.59~0.82 | 0.18~0.90~2.00 |
| | Operating Current (rated) | A | 6.45 | 2.97 | 4.45 |
| HEATING | Capacity - Rated | kW | 5.6 | 3.4 | 4.0 |
| | Capacity - Range (min ~ max) | kW | 0.9~7.4 | 0.8~4.5 | 0.8~5.0 |
| | Efficiency (rated) | COP | 3.64 | 4.47 | 4.21 |
| | Power Input (min - rated ~ max) | kW | 0.17~1.54~2.37 | 0.17~0.76~1.40 | 0.14~0.95~1.70 |
| | Operating Current (rated) | A | 6.45 | 3.70 | 4.65 |
| INDOOR UNIT | Dimension (HxWxD) | mm | 268x575x575 | 268x575x575 | 268x575x575 |
| | Net Weight | kg | 16 | 16 | 16 |
| | Airflow Volume (H/L) | L/s | 221.7/151.7 | 177.78/122.22 | 183.33/130.00 |
| | Fan Motor Output | W | 60 | 60 | 60 |
| | Sound Pressure(H/L) at 1m distance | dBA | 43/39/34 | 40/31(H/L) | 40/31(H/L) |
| | Sound Power(H/L) | dBA | 58/54/49 | 55/46(H/L) | 54/45(H/L) |
| OUTDOOR UNIT | Dimension (HxWxD) | mm | 550x780x290 | 550x780x290 | 550x780x290 |
| | Net Weight | kg | 44 | 33 | 39 |
| | Compressor Type | - | DC Twin Rotary | DC Twin Rotary | DC Twin Rotary |
| | Fan Motor Output | W | 43 | 43 | 43 |
| | Cooling Operating Noise (Sound Pressure) (H) at 1m distance | dBA (@spl) | 47 | 46 | 49 |
| | Cooling Operating Noise (Sound Power) (H) | dBA (@swl) | 63 | 61 | 64 |
| | Heating Operating Noise (Sound Pressure) (H) at 1m distance | dBA (@spl) | 48 | 47 | 50 |
| | Heating Operating Noise (Sound Power) (H) | dBA (@swl) | 64 | 62 | 65 |
| | Cooling Usable Temperature Range | OC | -15~43 | -15~46 | -15~46 |
| | Heating Usable Temperature Range | OC | - 20~15 | -15~24 | -15~24 |
| PIPE SIZE | Liquid Line Ø | mm | 6.4 | 6.4 | 6.4 |
| | Gas Line Ø | mm | 12.7 | 9.5 | 12.7 |
| | Coupler Style | - | Flare | Flare | Flare |
| | Maximum Length | m | 50 | 20 | 20 |
| | Chargeless Length | m | 20 | 15 | 15 |
| | Maximum Height Difference | m | 30 | 10 | 10 |

4-way Cassette Type



Models

- RAV-SM564UTP-E
- RAV-SM804UTP-E
- RAV-SM1104UTP-E
- RAV-SM1404UTP-E
- RAV-SM1604UTP-E

Panel

RBC-U31PGP(W)-E

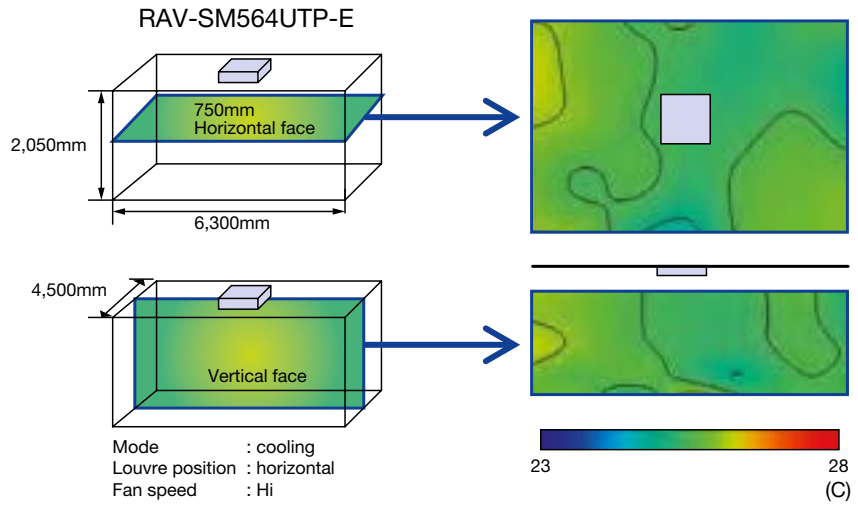


Wireless remote controller kit (optional)

RBC-AX32U(W)-E



Temperature conditioning



Individual Louvre Control

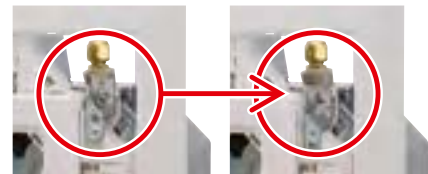
- The angles of each of the four louvres can be set individually
- Enables airflow to be chosen according to user preferences.

Three louvre swing patterns



Easy installation

The panel is attached using the bolt that is already installed on the indoor unit.



Comfort

Inverter
Allows step-less regulation of the air-conditioner's power, which reduces energy consumption and improves comfort.

Long-life Filter
Built-in long-life filter makes maintenance easier.

Individual louvre control
Enables airflows to be chosen according to user preferences.

Hot Start
When using the heater for preheating or defrosting, stops the indoor fan to prevent cold air from being blown into the room.

Auto-turn Louvres
Air outlet grilles move automatically to fill every corner of the room with warm or cool air.

Automatic Cooling/Heating
Automatically switches between cooling and heating mode.

Automatic Air Volume Control
Depending on the difference between the room temperature and the set temperature, switches automatically between High, Low and Very Low.

Dry
Gradually dehumidifies the room to create even greater comfort.

Operational

Filter Sign
Automatic displays on the remote controller say when to perform maintenance for the indoor unit filter.

Limit Timer
Uses a 168-hour timer with three modes — "ON timer", "OFF timer" and "Repeat OFF timer".

Installation

Cooling Capacity with an Outdoor Temperature of -15°C
Stable cooler operation is possible when the outdoor temperature is as low as -15°C.

Built-in Drain Pump
The built-in drain pump makes draining easier. (In the ceiling cassette type, it is built in to the main unit.)

4-way Cassette Type Super Digital Inverter – Single Phase

| INDOOR | | | RAV-SM564UTP-E | RAV-SM804UTP-E | RAV-SM1104UTP-E | RAV-SM1404UTP-E |
|----------------------|---|------------|-----------------|-----------------|-----------------|-----------------|
| OUTDOOR | | | RAV-SP564ATP-A1 | RAV-SP804ATP-A1 | RAV-SP1104AT-A2 | RAV-SP1404AT-A2 |
| REFRIGERANT TYPE | | | R410A | R410A | R410A | R410A |
| POWER SUPPLY/PH/FREQ | | Units | 220-240V/1/50Hz | 220-240V/1/50Hz | 220-240V/1/50Hz | 220-240V/1/50Hz |
| COOLING | Capacity - Rated | kW | 5.3 | 7.1 | 10 | 12.5 |
| | Capacity - Range (min ~ max) | kW | 1.2 ~ 5.6 | 1.9~8.0 | 2.6~12.0 | 2.6~14.0 |
| | Efficiency (rated) | EER | 3.61 | 3.82 | 4.52 | 3.96 |
| | Power Input (min ~ rated ~ max) | kW | 0.20~1.47~1.95 | 0.30~1.86~2.52 | 0.64~2.21~3.60 | 0.64~3.16~4.40 |
| | Operating Current (rated) | A | 6.82 | 8.72 | 10.36 | 14.89 |
| HEATING | Capacity - Rated | kW | 5.6 | 8.0 | 11.2 | 14 |
| | Capacity - Range (min ~ max) | kW | 0.9~8.1 | 1.3~11.3 | 2.4~13.0 | 2.4~16.5 |
| | Efficiency (rated) | COP | 4.63 | 4.19 | 4.79 | 4.36 |
| | Power Input (min ~ rated ~ max) | kW | 0.15~1.21~2.4 | 0.25~1.91~3.52 | 0.52~2.34~4.20 | 0.52~3.21~4.50 |
| | Operating Current (rated) | A | 6.82 | 8.72 | 10.96 | 14.89 |
| INDOOR UNIT | Dimension (HxWxD) | mm | 256x840x840 | 256x840x840 | 319x840x840 | 319x840x840 |
| | Net Weight | kg | 20 | 20 | 24 | 24 |
| | Airflow Volume (H/L) | L/s | 291.7/216.7 | 341.7/225.0 | 558.4/325.1 | 583.5/341.7 |
| | Fan Motor Output | W | 14 | 20 | 68 | 72 |
| | Sound Pressure (H/M/L) at 1m distance | dBA | 32/29/28 | 35/31/28 | 43/38/33 | 44/38/34 |
| | Sound Power (H/M/L) | dBA | 47/44/43 | 50/46/43 | 58/53/48 | 59/53/49 |
| OUTDOOR UNIT | Dimension (HxWxD) | mm | 550x780x290 | 890x900x320 | 1340x900x320 | 1340x900x320 |
| | Net Weight | kg | 44 | 66 | 93 | 93 |
| | Compressor Type | – | DC Twin Rotary | DC Twin Rotary | DC Twin Rotary | DC Twin Rotary |
| | Fan Motor Output | W | 43 | 63 | 100+100 | 100+100 |
| | Cooling Operating Noise (Sound Pressure) (H) at 1m distance | dBA (@spl) | 47 | 48 | 49 | 51 |
| | Cooling Operating Noise (Sound Power) (H) | dBA (@swl) | 63 | 64 | 66 | 68 |
| | Heating Operating Noise (Sound Pressure) (H) at 1m distance | dBA (@spl) | 48 | 49 | 50 | 52 |
| | Heating Operating Noise (Sound Power) (H) | dBA (@swl) | 64 | 65 | 67 | 69 |
| | Cooling Usable Temperature Range | OC | -15~43 | -15~43 | -15~43 | -15~43 |
| | Heating Usable Temperature Range | OC | -20~15 | -20~15 | -20~15 | -20~15 |
| PIPE SIZE | Liquid Line Ø | mm | 6.4 | 9.5 | 9.5 | 9.5 |
| | Gas Line Ø | mm | 12.7 | 15.9 | 15.9 | 15.9 |
| | Coupler Style | – | Flare | Flare | Flare | Flare |
| | Drain (Inside Diameter) Ø | mm | VP25 | VP25 | VP25 | VP25 |
| | Maximum Length | m | 50 | 50 | 75 | 75 |
| | Chargeless Length | m | 20 | 30 | 30 | 30 |
| | Maximum Height Difference | m | 30 | 30 | 30 | 30 |

4-way Cassette Type Super Digital Inverter – 3 Phase

| INDOOR | | | RAV-SM1404UTP-E | RAV-SM1604UTP-E |
|------------------------------|---|------------|------------------|------------------|
| OUTDOOR | | | RAV-SP1404AT8-A1 | RAV-SP1604AT8-A1 |
| REFRIGERANT TYPE | | | R410A | R410A |
| POWER SUPPLY/PH/FREQ - (CDU) | | Units | 380-415V/3/50Hz | 380-415V/3/50Hz |
| COOLING | Capacity - Rated | kW | 12.5 | 14 |
| | Capacity - Range (min ~ max) | kW | 2.6-14.0 | 2.6-16.0 |
| | Efficiency (rated) | EER | 3.61 | 3.12 |
| | Power Input (min ~ rated ~ max) | kW | 0.66-3.46-4.40 | 0.66-4.49-5.70 |
| | Operating Current (rated) | A | 6.03 | 7.55 |
| HEATING | Capacity - Rated | kW | 14 | 16.0 |
| | Capacity - Range (min ~ max) | kW | 2.4-18.0 | 2.4-19.0 |
| | Efficiency (rated) | COP | 4.09 | 3.72 |
| | Power Input (min ~ rated ~ max) | kW | 0.53-3.42-5.50 | 0.53-4.30-6.51 |
| | Operating Current (rated) | A | 6.03 | 7.55 |
| INDOOR UNIT | Dimension (HxWxD) | mm | 319x840x840 | 319x840x840 |
| | Net Weight | kg | 24 | 24 |
| | Airflow Volume (H) | L/s | 583 | 592 |
| | Fan Motor Output | W | 72 | 72 |
| | Heating Operating Noise (Sound Pressure) (H/L) at 1m distance | dBA (@spl) | 44/34 | 45/36 |
| | Heating Operating Noise (Sound Power) (H/L) | dBA (@swl) | 59/49 | 60/51 |
| OUTDOOR UNIT | Dimension (HxWxD) | mm | 1340x900x320 | 1340x900x320 |
| | Net Weight | kg | 95 | 95 |
| | Compressor Type | – | DC Twin Rotary | DC Twin Rotary |
| | Fan Motor Output | W | 100+100 | 100+100 |
| | Cooling Operating Noise (Sound Pressure) (H) at 1m distance | dBA (@spl) | 51 | 51 |
| | Cooling Operating Noise (Sound Power) (H) | dBA (@swl) | 68 | 68 |
| | Heating Operating Noise (Sound Pressure) (H) at 1m distance | dBA (@spl) | 52 | 53 |
| | Heating Operating Noise (Sound Power) (H) | dBA (@swl) | 69 | 70 |
| | Cooling Usable Temperature Range | OC | -15~46 | -15~46 |
| | Heating Usable Temperature Range | OC | -20~15 | -20~15 |
| PIPE SIZE | Liquid Line Ø | mm | 9.5 | 9.5 |
| | Gas Line Ø | mm | 15.9 | 15.9 |
| | Coupler Style | – | Flare | Flare |
| | Maximum Length | m | 75 | 75 |
| | Chargeless Length | m | 30 | 30 |
| | Maximum Height Difference | m | 30 | 30 |

4-way Cassette Type Digital Inverter – Single Phase

| INDOOR | | | RAV-SM564UTP-E | RAV-SM804UTP-E | RAV-SM1104UTP-E | RAV-SM1404UTP-E | RAV-SM1604UTP-E |
|----------------------------------|---|------------|-----------------|-----------------|------------------|------------------|-----------------|
| OUTDOOR | | | RAV-SM564ATP-A1 | RAV-SM804ATP-A1 | RAV-SM1104ATP-A1 | RAV-SM1404ATP-A1 | RAV-SM1603AT-A1 |
| REFRIGERANT TYPE | | | R410A | R410A | R410A | R410A | R410A |
| POWER SUPPLY/PH/FREQ | | Units | 220-240V/1/50Hz | 220-240V/1/50Hz | 220-240V/1/50Hz | 220-240V/1/50Hz | 220-240V/1/50Hz |
| COOLING | Capacity - Rated | kW | 4.8 | 6.1 | 10.0 | 10.8 | 13 |
| | Capacity - Range (min ~ max) | kW | 1.5 - 5.6 | 1.5 - 8.0 | 3.0 - 11.2 | 3.0 - 12.5 | 3.0 - 16.0 |
| | Efficiency (rated) | EER | 3.29 | 3.26 | 3.31 | 3.00 | 3.12 |
| | Power Input (min ~ rated ~ max) | kW | 0.26-1.46-1.88 | 0.26-1.87-2.60 | 0.60-3.02-4.10 | 0.60-3.60-4.71 | 0.65~4.49~5.70 |
| | Operating Current (rated) | A | 7.05 - 6.60 | 8.75 - 8.20 | 14.60 - 13.50 | 17.20 - 15.90 | 21.48 |
| HEATING | Capacity - Rated | kW | 5.3 | 7.0 | 11.2 | 12.2 | 16 |
| | Capacity - Range (min ~ max) | kW | 1.5 - 6.3 | 1.5 - 8.5 | 3.0 - 13.0 | 3.0 - 15.0 | 3.0 - 18.0 |
| | Efficiency (rated) | COP | 3.90 | 3.74 | 3.82 | 3.73 | 3.61 |
| | Power Input (min ~ rated ~ max) | kW | 0.26-1.36-2.08 | 0.26-1.87-2.70 | 0.60-2.93-4.30 | 0.60-3.27-4.50 | 0.65~4.43~6.51 |
| | Operating Current (rated) | A | 6.56 - 6.15 | 8.75 - 8.20 | 14.17-13.10 | 16.30-15.00 | 21.20 |
| INDOOR UNIT | Dimension (HxWxD) | mm | 256x840x840 | 256x840x840 | 319x840x840 | 319x840x840 | 319x840x840 |
| | Net Weight | kg | 20 | 20 | 24 | 24 | 24 |
| | Airflow Volume (H/L) | L/s | 292/217 | 342/225 | 558/325 | 583/342 | 591.8/350.1 |
| | Fan Motor Output | W | 14 | 20 | 68 | 72 | 72 |
| | Heating Operating Noise (Sound Pressure) (H/M/L) at 1m distance | dBA (@spl) | 32/29/28 | 35/31/28 | 43/38/33 | 44/38/34 | 45/40/36 |
| | Heating Operating Noise (Sound Power) (H/M/L) | dBA (@swl) | 47/44/43 | 50/46/43 | 58/53/48 | 59/53/49 | 60/55/51 |
| OUTDOOR UNIT | Dimension (HxWxD) | mm | 550x780x290 | 550x780x290 | 890x900x320 | 890x900x320 | 1340x900x320 |
| | Net Weight | kg | 40 | 44 | 68 | 68 | 99 |
| | Compressor Type | – | DC Twin Rotary | DC Twin Rotary | DC Twin Rotary | DC Twin Rotary | DC Twin Rotary |
| | Fan Motor Output | W | 43 | 43 | 100 | 100 | 100+100 |
| | Cooling Operating Noise (Sound Pressure) (H) at 1m distance | dBA (@spl) | 46 | 48 | 53 | 54 | 51 |
| | Cooling Operating Noise (Sound Power) (H) | dBA (@swl) | 63 | 65 | 70 | 70 | 68 |
| | Heating Operating Noise (Sound Pressure) (H) at 1m distance | dBA (@spl) | 48 | 52 | 54 | 55 | 53 |
| | Heating Operating Noise (Sound Power) (H) | dBA (@swl) | 65 | 69 | 71 | 71 | 70 |
| | Cooling Usable Temperature Range | OC | -15~46 | -15~46 | -15~46 | -15~46 | -15~43 |
| Heating Usable Temperature Range | OC | -15~15 | -15~15 | -15~15 | -15~15 | -15~15 | |
| PIPE SIZE | Liquid Line Ø | mm | 6.4 | 9.5 | 9.5 | 9.5 | 9.5 |
| | Gas Line Ø | mm | 12.7 | 15.9 | 15.9 | 15.9 | 15.9 |
| | Coupler Style | – | Flare | Flare | Flare | Flare | Flare |
| | Drain (Inside Diameter) Ø | mm | VP25 | VP25 | VP25 | VP25 | VP25 |
| | Maximum Length | m | 30 ¹ | 30 ² | 50 ³ | 50 ³ | 50 ³ |
| | Chargeless Length | m | 20 | 20 | 30 | 30 | 30 |
| | Maximum Height Difference | m | 30 | 30 | 30 | 30 | 30 |

Notes: *1 21m to 30m need to extra charge 20g/m
 *2 21m to 30m need to extra charge 40g/m
 *3 31m to 50m need to extra charge 40g/m

Versatile and Clever Duct Type

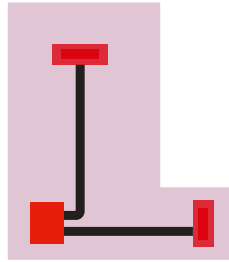


Models

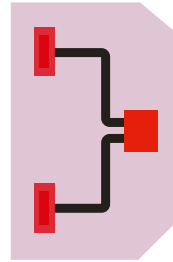
- RAV-SM566BTP-E
- RAV-SM806BTP-E
- RAV-SM1106BTP-E
- RAV-SM1406BTP-E

Wide range of applications

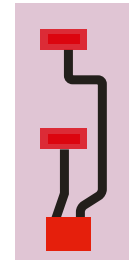
The use of ducts allows air outlets to be conveniently installed anywhere on the ceiling, eliminating the conspicuous presence of the air conditioner in the center of the room. Not only can this be applied to a wide variety of layouts from narrow spaces to polygonal rooms; it also greatly improves the aesthetics of a room with its unobtrusive presence.



Polygonal rooms



Narrow rooms



Rooms with fixtures and obstacles

High static pressure

External static pressure can be raised as high as 120 Pa, so that all areas of the room can be reached for even temperature distribution, no matter how complex the layout.

High-lift drain pump

The flexible piping layout is made possible by an optionally available drain-pump kit that raises the drain piping up to 27cm from the drain port.

Comfort



Inverter
Allows step-less regulation of the air-conditioner's power, which reduces energy consumption and improves comfort.



Hot Start
When using the heater for preheating or defrosting, stops the indoor fan to prevent cold air from being blown into the room.



Automatic Air Volume Control
Depending on the difference between the room temperature and the set temperature, switches automatically between High, Low and Very Low.



Automatic Cooling/Heating
Automatically switches between cooling and heating mode.



Long-life Filter
Built-in long-life filter makes maintenance easier.



Dry
Gradually dehumidifies the room to create even greater comfort.

Operational



Filter Sign
Automatic displays on the remote controller say when to perform maintenance for the indoor unit filter.



Limit Timer
Uses a 168-hour timer with three modes — "ON timer", "OFF timer" and "Repeat OFF timer".

Installation



Cooling Capacity with an Outdoor Temperature of -15°C
Stable cooler operation is possible when the outdoor temperature is as low as -15°C.



Built-in Drain Pump
The built-in drain pump makes draining easier. (In the ceiling cassette type, it is built in to the main unit.)

Duct Type – Super Digital Inverter

| INDOOR | | RAV-SM566BTP-E | RAV-SM806BTP-E | RAV-SM1106BTP-E | RAV-SM1406BTP-E | |
|----------------------------------|---|-----------------|-----------------|-----------------|-----------------|----------------|
| OUTDOOR | | RAV-SP564ATP-A1 | RAV-SP804ATP-A1 | RAV-SP1104AT-A2 | RAV-SP1404AT-A2 | |
| REFRIGERANT TYPE | | R410A | R410A | R410A | R410A | |
| POWER SUPPLY/PH/FREQ | | UNITS | 220-240V/1/50Hz | 220-240V/1/50Hz | 220-240V/1/50Hz | |
| COOLING | Capacity - Rated | kW | 4.9 | 7.1 | 10.0 | 12.5 |
| | Capacity - Range (min ~ max) | kW | 1.2-5.6 | 1.9-8.0 | 2.6-12.0 | 2.6-14.0 |
| | Efficiency (rated) | EER | 3.25 | 3.45 | 3.79 | 3.26 |
| | Power Input (min ~ rated ~ max) | kW | 0.21/1.51/2.05 | 0.30/2.06/2.88 | 0.64/2.64/3.80 | 0.64/3.83/4.47 |
| | Operating Current (rated) | A | 7.00 | 9.65 | 12.30 | 17.70 |
| HEATING | Capacity - Rated | kW | 5.6 | 8.0 | 11.2 | 14.0 |
| | Capacity - Range (min ~ max) | kW | 0.9-7.4 | 1.3-10.6 | 2.4-13.0 | 2.4-16.5 |
| | Efficiency (rated) | COP | 3.61 | 3.62 | 4.04 | 3.81 |
| | Power Input (min ~ rated ~ max) | kW | 0.17/1.55/2.51 | 0.27/2.21/3.50 | 0.52/2.77/4.00 | 0.52/3.67/4.50 |
| | Operating Current (rated) | A | 7.18 | 10.3 | 12.90 | 17.00 |
| INDOOR UNIT | Dimension (HxWxD) | mm | 275x700x750 | 275x1000x750 | 275x1400x750 | 275x1400x750 |
| | Net Weight | kg | 23 | 30 | 40 | 40 |
| | Airflow Volume (H/L) | L/s | 222/133 | 333/200 | 583/350 | 583/350 |
| | Fan Motor Output | W | 150 | 150 | 250 | 250 |
| | Heating Operating Noise (Sound Pressure) (H/M/L) at 1m distance | dBA (@spl) | 33/29/25 | 34/30/26 | 40/36/33 | 40/36/33 |
| | Heating Operating Noise (Sound Power) (H/M/L) | dBA (@swl) | 55/51/46 | 55/51/46 | 63/58/54 | 63/58/54 |
| OUTDOOR UNIT | Dimension (HxWxD) | mm | 550x780x290 | 890x900x320 | 1340x900x320 | 1340x900x320 |
| | Net Weight | kg | 44 | 66 | 93 | 93 |
| | Compressor Type | – | DC Twin Rotary | DC Twin Rotary | DC Twin Rotary | DC Twin Rotary |
| | Fan Motor Output | W | 43 | 63 | 100+100 | 100+100 |
| | Cooling Operating Noise (Sound Pressure) (H) at 1m distance | dBA (@spl) | 47 | 48 | 49 | 51 |
| | Cooling Operating Noise (Sound Power) (H) | dBA (@swl) | 63 | 64 | 66 | 68 |
| | Heating Operating Noise (Sound Pressure) (H) at 1m distance | dBA (@spl) | 48 | 49 | 50 | 52 |
| | Heating Operating Noise (Sound Power) (H) | dBA (@swl) | 64 | 65 | 67 | 69 |
| | Cooling Usable Temperature Range | 0C | -15~43 | -15~43 | -15~43 | -15~43 |
| Heating Usable Temperature Range | 0C | -20~15 | -20~15 | -20~15 | -20~15 | |
| PIPE SIZE | Liquid Line Ø | mm | 6.4 | 9.5 | 9.5 | 9.5 |
| | Gas Line Ø | mm | 12.7 | 15.9 | 15.9 | 15.9 |
| | Coupler Style | – | Flare | Flare | Flare | Flare |
| | Maximum Length | m | 50 | 50 | 75 | 75 |
| | Chargeless Length | m | 20 | 30 | 30 | 30 |
| | Maximum Height Difference | m | 30 | 30 | 30 | 30 |

Duct Type – 3 Phase System

| INDOOR | | RAV-SM1406BTP-E | |
|------------------------------|---|------------------|-----------------|
| OUTDOOR | | RAV-SP1404AT8-A1 | |
| REFRIGERANT TYPE | | R410A | |
| POWER SUPPLY/PH/FREQ - (CDU) | | Units | 380-415V/3/50Hz |
| COOLING | Capacity - Rated | kW | 12.5 |
| | Capacity - Range (min ~ max) | kW | 2.6-14.0 |
| | Efficiency (rated) | EER | 3.24 |
| | Power Input (min ~ rated ~ max) | kW | 0.66-3.86-4.89 |
| | Operating Current (rated) | A | 6.74 |
| HEATING | Capacity - Rated | kW | 14.0 |
| | Capacity - Range (min ~ max) | kW | 2.4-18.0 |
| | Efficiency (rated) | COP | 3.81 |
| | Power Input (min ~ rated ~ max) | kW | 0.53-3.67-5.71 |
| | Operating Current (rated) | A | 6.74 |
| INDOOR UNIT | Dimension (HxWxD) | mm | 275x1400x750 |
| | Net Weight | kg | 40 |
| | Airflow Volume (H) | L/s | 583 |
| | Fan Motor Output | W | 250 |
| | Heating Operating Noise (Sound Pressure) (H/L) at 1m distance | dBA (@spl) | 40/33 |
| | Heating Operating Noise (Sound Power) (H/L) | dBA (@swl) | 63/54 |
| OUTDOOR UNIT | Dimension (HxWxD) | mm | 1340x900x320 |
| | Net Weight | kg | 95 |
| | Compressor Type | – | DC Twin Rotary |
| | Fan Motor Output | W | 100+100 |
| | Cooling Operating Noise (Sound Pressure) (H) at 1m distance | dBA (@spl) | 51 |
| | Cooling Operating Noise (Sound Power) (H) | dBA (@swl) | 68 |
| | Heating Operating Noise (Sound Pressure) (H) at 1m distance | dBA (@spl) | 52 |
| | Heating Operating Noise (Sound Power) (H) | dBA (@swl) | 69 |
| | Cooling Usable Temperature Range | OC | -15~46 |
| | Heating Usable Temperature Range | OC | -20~15 |
| | PIPE SIZE | Liquid Line Ø | mm |
| Gas Line Ø | | mm | 15.9 |
| Coupler Style | | – | Flare |
| Maximum Length | | m | 75 |
| Chargeless Length | | m | 30 |
| Maximum Height Difference | | m | 30 |

Quiet and Comfortable Ceiling Type



Models

- RAV-SM568CTP-E
- RAV-SM808CTP-E
- RAV-SM1108CTP-E
- RAV-SM1408CTP-E

Wireless remote controller kit (optional)

RBC-AX33CE



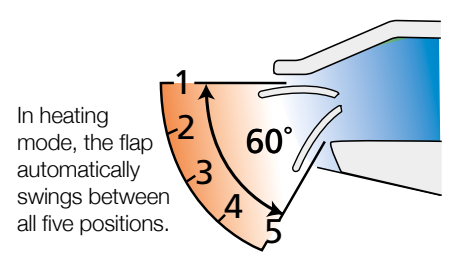
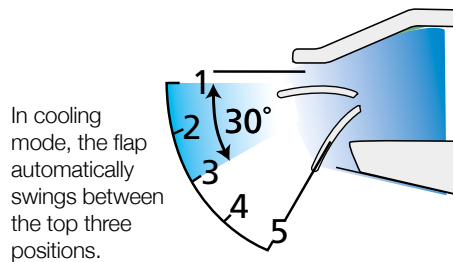
Comfortable ambience

Very quiet operation

Greatly reduces the noise level to half that of conventional units. Operation is always whisper-quiet.

Flap control

The airflow angle is automatically set to the most suitable setting according to your cooling or heating needs, and an automatic swing mode enables airflow to reach all areas of the room to create a comfortable ambience.



Installation efficiency

Suspending the unit from the ceiling saves the complex installation procedures. It can be suspended simply by adjusting two screws on the intake grill. Compared to units which involve a dozen screws, installation is further simplified.

Comfort



Inverter
Allows step-less regulation of the air-conditioner's power, which reduces energy consumption and improves comfort.



Hot Start
When using the heater for preheating or defrosting, stops the indoor fan to prevent cold air from being blown into the room.



Auto-turn Louvres
Air outlet grilles move automatically to fill every corner of the room with warm or cool air.



Automatic Cooling/Heating
Automatically switches between cooling and heating mode.



Automatic Air Volume Control
Depending on the difference between the room temperature and the set temperature, switches automatically between High, Low and Very Low.



Dry
Gradually dehumidifies the room to create even greater comfort.



Long-life Filter
Built-in long-life filter makes maintenance easier.

Operational



Filter Sign
Automatic displays on the remote controller say when to perform maintenance for the indoor unit filter.



Limit Timer
Uses a 168-hour timer with three modes — "ON timer", "OFF timer" and "Repeat OFF timer".

Installation



Cooling Capacity with an Outdoor Temperature of -15°C
Stable cooler operation is possible when the outdoor temperature is as low as -15°C.



Built-in Drain Pump
The built-in drain pump makes draining easier. (In the ceiling cassette type, it is built in to the main unit.)

Optional

Ceiling Type – Super Digital Inverter

| INDOOR | | | RAV-SM568CTP-E | RAV-SM808CTP-E | RAV-SM1108CTP-E | RAV-SM1408CTP-E |
|----------------------------------|---|------------|-----------------|-----------------|-----------------|-----------------|
| OUTDOOR | | | RAV-SP564ATP-A1 | RAV-SP804ATP-A1 | RAV-SP1104AT-A2 | RAV-SP1404AT-A2 |
| REFRIGERANT TYPE | | | R410A | R410A | R410A | R410A |
| POWER SUPPLY/PH/FREQ | | Units | 220-240V/1/50Hz | 220-240V/1/50Hz | 220-240V/1/50Hz | 220-240V/1/50Hz |
| COOLING | Capacity - Rated | kW | 5.0 | 7.1 | 10.0 | 12.5 |
| | Capacity - Range (min ~ max) | kW | 1.2~5.6 | 1.9~8.0 | 2.6~12.0 | 2.6~14.0 |
| | Efficiency (rated) | EER | 3.65 | 3.82 | 4.08 | 3.21 |
| | Power Input (min ~ rated ~ max) | kW | 0.21~1.37~2.26 | 0.30~1.86~2.88 | 0.64~2.45~3.70 | 0.64~3.90~4.47 |
| | Operating Current (rated) | A | 6.35~5.82 | 8.72~7.99 | 11.48 | 18.09 |
| HEATING | Capacity - Rated | kW | 5.6 | 8.0 | 11.2 | 14.0 |
| | Capacity - Range (min ~ max) | kW | 0.9~7.4 | 1.3~10.6 | 2.4~13.0 | 2.4~16.5 |
| | Efficiency (rated) | COP | 4.38 | 4.17 | 4.69 | 3.87 |
| | Power Input (min ~ rated ~ max) | kW | 0.17~1.28~2.34 | 0.27~1.92~3.50 | 0.52~2.39~4.00 | 0.52~3.62~4.60 |
| | Operating Current (rated) | A | 5.94~5.44 | 9.00~8.25 | 11.2 | 16.79 |
| INDOOR UNIT | Dimension (HxWxD) | mm | 235x950x690 | 235x1270x690 | 235x1586x690 | 235x1586x690 |
| | Net Weight | kg | 23 | 29 | 37 | 37 |
| | Airflow Volume (H/L) | L/s | 250/150 | 392/208 | 516.7/283.3 | 566.7/333.3 |
| | Fan Motor Output | W | 94 | 94 | 139 | 139 |
| | Heating Operating Noise (Sound Pressure) (H/M/L) at 1m distance | dBA (@spl) | 37/35/28 | 41/36/29 | 44/38/32 | 46/41/35 |
| | Heating Operating Noise (Sound Power)(H/M/L) | dBA (@swl) | 52/50/43 | 56/51/44 | 59/53/47 | 61/56/50 |
| OUTDOOR UNIT | Dimension (HxWxD) | mm | 550x780x290 | 890x900x320 | 1340x900x320 | 1340x900x320 |
| | Net Weight | kg | 44 | 66 | 93 | 93 |
| | Compressor Type | – | DC Twin Rotary | DC Twin Rotary | DC Twin Rotary | DC Twin Rotary |
| | Fan Motor Output | W | 43 | 63 | 100+100 | 100+100 |
| | Cooling Operating Noise (Sound Pressure) (H) at 1m distance | dBA (@spl) | 47 | 48 | 49 | 51 |
| | Cooling Operating Noise (Sound Power) (H) | dBA (@swl) | 63 | 64 | 66 | 68 |
| | Heating Operating Noise (Sound Pressure) (H) at 1m distance | dBA (@spl) | 48 | 49 | 50 | 52 |
| | Heating Operating Noise (Sound Power) (H) | dBA (@swl) | 64 | 65 | 67 | 69 |
| | Cooling Usable Temperature Range | OC | -15~43 | -15~43 | -15~43 | -15~43 |
| Heating Usable Temperature Range | OC | -20~15 | -20~15 | -20~15 | -20~15 | |
| PIPE SIZE | Liquid Line Ø | mm | 6.4 | 9.5 | 9.5 | 9.5 |
| | Gas Line Ø | mm | 12.7 | 15.9 | 15.9 | 15.9 |
| | Coupler Style | – | Flare | Flare | Flare | Flare |
| | Drain (Inside Diameter) Ø | mm | VP25 | VP25 | VP25 | VP25 |
| | Maximum Length | m | 50 | 50 | 75 | 75 |
| | Chargeless Length | m | 20 | 30 | 30 | 30 |
| | Maximum Height Difference | m | 30 | 30 | 30 | 30 |

Ceiling Type – 3 Phase System

| INDOOR | | | RAV-SM1408CTP-E | RAV-SM1608CTP-E |
|------------------------------|---|------------|--------------------|------------------|
| OUTDOOR | | | RAV-SP1404AT8-A1 | RAV-SP1604AT8-A1 |
| REFRIGERANT TYPE | | | R410A | R410A |
| POWER SUPPLY/PH/FREQ - (CDU) | | Units | 380-415V/3/50Hz | 380-415V/3/50Hz |
| COOLING | Capacity - Rated | kW | 12.5 | 13.9 |
| | Capacity - Range (min ~ max) | kW | 2.5-14.0 | 2.6-16.0 |
| | Efficiency (rated) | EER | 3.36 | 3.28 |
| | Power Input (min ~ rated ~ max) | kW | 0.66 - 3.72 - 4.85 | 0.66-4.24-6.33 |
| | Operating Current (rated 380V-415V) | A | 6.50-5.95 | 7.16-6.55 |
| HEATING | Capacity - Rated | kW | 14.0 | 16.0 |
| | Capacity - Range (min ~ max) | kW | 2.4-18.0 | 2.4-19.0 |
| | Efficiency (rated) | COP | 3.93 | 3.71 |
| | Power Input (min ~ rated ~ max) | kW | 0.53-3.70-5.95 | 0.53-4.31-6.96 |
| | Operating Current (rated 380V-415V) | A | 6.67 | 7.28-6.66 |
| INDOOR UNIT | Dimension (HxWxD) | mm | 235x1586x690 | 235x1586x690 |
| | Net Weight | kg | 37 | 37 |
| | Airflow Volume (H) | L/s | 567 | 567 |
| | Fan Motor Output | W | 139 | 139 |
| | Heating Operating Noise (Sound Pressure) (H/L) at 1m distance | dBA (@spl) | 43/37 | 46/36 |
| | Heating Operating Noise (Sound Power) (H/L) | dBA (@swl) | 58/52 | 61/51 |
| OUTDOOR UNIT | Dimension (HxWxD) | mm | 1340x900x320 | 1340x900x320 |
| | Net Weight | kg | 95 | 95 |
| | Compressor Type | – | DC Twin Rotary | Twin Rotary |
| | Fan Motor Output | W | 100+100 | 100+100 |
| | Cooling Operating Noise (Sound Pressure) (H) at 1m distance | dBA (@spl) | 51 | 51 |
| | Cooling Operating Noise (Sound Power) (H) | dBA (@swl) | 68 | 68 |
| | Heating Operating Noise (Sound Pressure) (H) at 1m distance | dBA (@spl) | 52 | 52 |
| | Heating Operating Noise (Sound Power) (H) | dBA (@swl) | 69 | 69 |
| | Cooling Usable Temperature Range | OC | -15~46 | -15~46 |
| | Heating Usable Temperature Range | OC | -20~15 | -20~15 |
| PIPE SIZE | Liquid Line Ø | mm | 9.5 | 9.5 |
| | Gas Line Ø | mm | 15.9 | 15.9 |
| | Coupler Style | – | Flare | Flare |
| | Maximum Length | m | 75 | 75 |
| | Chargeless Length | m | 30 | 30 |
| | Maximum Height Difference | m | 30 | 30 |

Hi-Wall Type



Model

RAV-SM307KRTP-A
RAV-SM407KRTP-A
RAV-SM566KRT-A
RAV-SM806KRT-A

Features

With its attractive, slimline design, this unit is best suited for restaurants and other applications where elegance is required. The filtration system further improves the indoor air quality benefits of this Hi-Wall unit.

Key features

With its slim design, this compact and stylish unit blends into any room setting.

- Enhanced filtration system: Zeolite Plus + Sasa filter to deodorise, Bio-Enzyme filter + Gingko filter to purify and a new antioxidant Vitamin C filter.
- Auto-louvre mode allows optimum air distribution throughout the room.
- A wireless controller is included.
- A TCC Link remote control is optional.

Hi-Wall Type - Twin

| INDOOR | | RAV-SM806KRT-A x 2 | |
|----------------------------------|---|--------------------|-----------------|
| OUTDOOR | | RAV-SP1404AT-A2 | |
| REFRIGERANT TYPE | | R410A | |
| POWER SUPPLY/PH/FREQ | | Units | 220-240V/1/50Hz |
| COOLING | Capacity - Rated | kW | 12.3 |
| | Capacity - Range (min ~ max) | kW | 2.6-13.5 |
| | Efficiency (rated) | EER | 3.17 |
| | Power Input (min ~ rated ~ max) | kW | 0.64~3.88~4.40 |
| | Operating Current (rated) | A | 18.0 |
| HEATING | Capacity - Rated | kW | 14.0 |
| | Capacity - Range (min ~ max) | kW | 2.4-16.5 |
| | Efficiency (rated) | COP | 3.66 |
| | Power Input (min ~ rated ~ max) | kW | 0.52-3.83-4.60 |
| | Operating Current (rated) | A | 17.8 |
| INDOOR UNIT | Dimension (HxWxD) | mm | 320x1050x228 |
| | Net Weight | kg | 13 |
| | Airflow Volume (H/L) | L/s | 283/183 |
| | Fan Motor Output | W | 30 |
| | Sound Pressure (H/L) at 1m distance | dBA | 47/36 |
| | Sound Power (H/L) | dBA | 62/51 |
| OUTDOOR UNIT | Dimension (HxWxD) | mm | 1340x900x320 |
| | Net Weight | kg | 93 |
| | Compressor Type | - | DC Twin Rotary |
| | Fan Motor Output | W | 100+100 |
| | Cooling Operating Noise (Sound Pressure) (H) at 1m distance | dBA (@spl) | 51 |
| | Cooling Operating Noise (Sound Power) (H) | dBA (@swl) | 68 |
| | Heating Operating Noise (Sound Pressure) (H) at 1m distance | dBA (@spl) | 52 |
| | Heating Operating Noise (Sound Power) (H) | dBA (@swl) | 69 |
| | Cooling Usable Temperature Range | OC | -15~43 |
| Heating Usable Temperature Range | OC | -20~15 | |
| PIPE SIZE | Liquid Line Ø | mm | 9.5 |
| | Gas Line Ø | mm | 15.9 |
| | Coupler Style | - | Flare |
| | Drain (Inside Diameter) Ø | mm | VP16 |
| | Maximum Length | m | 75 |
| | Chargeless Length | m | 30 |
| | Maximum Height Difference | m | 30 |

Hi-Wall Type - Digital Inverter

| INDOOR | | | RAV-SM307KRTP-A | RAV-SM407KRTP-A | RAV-SM566KRT-A | RAV-SM806KRT-A |
|----------------------|---|------------|--------------------|--------------------|------------------|------------------|
| OUTDOOR | | | RAV-SM304ATP-A | RAV-SM404ATP-A | RAV-SM564ATP-A1 | RAV-SM804ATP-A1 |
| REFRIGERANT TYPE | | | R410A | R410A | R410A | R410A |
| POWER SUPPLY/PH/FREQ | | Units | 220-240V/1/50Hz | 220-240V/1/50Hz | 220-240V/1/50Hz | 220-240V/1/50Hz |
| COOLING | Capacity - Rated | kW | 2.5 | 3.1 | 4.6 | 5.5 |
| | Capacity - Range (min ~ max) | kW | 0.9 - 3.0 | 0.9 - 4.0 | 1.5 - 5.6 | 1.5 - 7.0 |
| | Efficiency (rated) | EER | 4.1 | 3.97 | 3.26 | 3.24 |
| | Star Rating | - | 2.5 | 2.5 | 2.0 | 1.5 |
| | Power Input (min ~ rated ~ max) | kW | 0.25~0.61~0.82 | 0.18~0.78~2.00 | 0.30~1.41~1.86 | 0.31~1.70~2.85 |
| | Operating Current (rated) | A | 3.07-2.83 | 3.85-3.55 | 6.85-6.40 | 7.95-7.45 |
| HEATING | Capacity - Rated | kW | 3.0 | 3.2 | 5.3 | 7.0 |
| | Capacity - Range (min ~ max) | kW | 0.8-4.5 | 0.8-5.0 | 1.5-6.3 | 1.5-8.5 |
| | Efficiency (rated) | COP | 4.23 | 3.95 | 3.42 | 3.33 |
| | Power Input (min ~ rated ~ max) | kW | 19.7~58.6~85.6 | 10.2~40.7~85.0 | 0.30~1.55~2.44 | 0.31~2.10~3.30 |
| | Operating Current (rated) | A | 3.33 | 3.80 | 7.50-7.05 | 9.84-9.20 |
| INDOOR UNIT | Dimension (HxWxD) | mm | 275x790x217 | 275x790x217 | 320x1050x228 | 320x1050x228 |
| | Net Weight | kg | 10 | 10 | 13 | 13 |
| | Cooling Airflow Volume (H/L) | L/s | 143/83 | 143/83 | 233/183 | 283/183 |
| | Heating Airflow Volume (H/L) | L/s | 158/100 | 192/97 | 233/183 | 283/183 |
| | Fan Motor Output | W | 30 | 30 | 30 | 30 |
| | Sound Pressure (H/M/L) at 1m distance | dBA | 40/34/29 | 41/36/30 | 42/39/36 | 47/41/36 |
| | Sound Power (H/M/L) | dBA | 55/49/44 | 56/51/45 | 57/54/51 | 62/56/51 |
| | Heating Operating Noise (Sound Pressure) (H/M/L) at 1m distance | dBA (@spl) | 41/37/31 | 45/40/32 | 42/39/36 | 47/41/36 |
| | Heating Operating Noise (Sound Power) (H/M/L) | dBA (@swl) | 56/52/46 | 60/55/47 | 57/54/51 | 62/56/51 |
| OUTDOOR UNIT | Dimension (HxWxD) | mm | 550x780x290 | 550x780x290 | 550x780x290 | 550x780x290 |
| | Net Weight | kg | 33 | 39 | 40 | 44 |
| | Compressor Type | - | Rotary DC-Invertor | Rotary DC-Invertor | DC Twin Rotary | DC Twin Rotary |
| | Fan Motor Output | W | 43 | 43 | 43 | 43 |
| | Cooling Operating Noise (Sound Pressure) (H) at 1m distance | dBA (@spl) | 46 | 41 | 46 | 48 |
| | Cooling Operating Noise (Sound Power) (H) | dBA (@swl) | 61 | 64 | 63 | 65 |
| | Heating Operating Noise (Sound Pressure) (H) at 1m distance | dBA (@spl) | 47 | 50 | 48 | 52 |
| | Heating Operating Noise (Sound Power) (H) | dBA (@swl) | 62 | 65 | 65 | 69 |
| | Cooling Usable Temperature Range | °C | -15~46 | -15~46 | -15~46 | -15~46 |
| | Heating Usable Temperature Range | °C | -15~24 | -15~24 | -15~15 | -15~15 |
| PIPE SIZE | Liquid Line Ø | mm | 6.4 | 6.4 | 6.4 | 9.5 |
| | Gas Line Ø | mm | 9.5 | 12.7 | 12.7 | 15.9 |
| | Coupler Style | - | Flare | Flare | Flare | Flare |
| | Drain (Inside Diameter) Ø | mm | 10.1 | 10.1 | 16 | 16 |
| | Maximum Length | m | 20 | 20 | 30 ^{*1} | 30 ^{*2} |
| | Chargeless Length | m | 15 | 15 | 20 | 20 |
| | Maximum Height Difference | m | 10 | 10 | 30 | 30 |

Notes: *1 21m to 30m need to extra charge 20g/m
*2 21m to 30m need to extra charge 40g/m

Comfort



Inverter
Allows step-less regulation of the air-conditioner's power, which reduces energy consumption and improves comfort.



Hot Start
When using the heater for preheating or defrosting, stops the indoor fan to prevent cold air from being blown into the room.



Auto-turn Louvers
Air outlet grilles move automatically to fill every corner of the room with warm or cool air.



Automatic Cooling/Heating
Automatically switches between cooling and heating mode.



Automatic Air Volume Control
Depending on the difference between the room temperature and the set temperature, switches automatically between High, Low and Very Low.



Dry
Gradually dehumidifies the room to create even greater comfort.

Operational



On/Off Timer
The operation start and stop times can be set with a digital clock.

Installation



Cooling Capacity with an Outdoor Temperature of -15°C
Stable cooler operation is possible when the outdoor temperature is as low as -15°C.

Hi-Wall Type - Super Digital Inverter

| INDOOR | | | RAV-SM566KRT-A | RAV-SM806KRT-A |
|---|---|------------|-----------------|-----------------|
| OUTDOOR | | | RAV-SP564ATP-A1 | RAV-SP804ATP-A1 |
| REFRIGERANT TYPE | | | R410A | R410A |
| POWER SUPPLY/PH/FREQ | | Units | 220-240V/1/50Hz | 220-240V/1/50Hz |
| COOLING | Capacity - Rated | KW | 5.0 | 6.6 |
| | Capacity - Range (min ~ max) | KW | 1.2-5.6 | 1.9-8.0 |
| | Efficiency (rated) | EER | 3.47 | 3.46 |
| | Star Rating | - | 2.0 | 1.5 |
| | Power Input (min ~ rated ~ max) | KW | 0.21~1.44~2.05 | 0.30~1.91~2.88 |
| HEATING | Operating Current (rated) | A | 3.47 | 9.04 |
| | Capacity - Rated | KW | 5.6 | 8.0 |
| | Capacity - Range (min ~ max) | KW | 0.9-7.3 | 1.3-10.6 |
| | Efficiency (rated) | COP | 3.73 | 3.42 |
| | Star Rating | - | 2.5 | 1.5 |
| | Power Input (min ~ rated ~ max) | KW | 0.17~1.50~2.57 | 0.27~2.34~3.87 |
| INDOOR UNIT | Operating Current (rated) | A | 6.98 | 9.04 |
| | Dimension (HxWxD) | mm | 320x1050x228 | 320x1050x228 |
| | Net Weight | kg | 12 | 12 |
| | Airflow Volume (H/L) | L/s | 233/183 | 283/183 |
| | Fan Motor Output | W | 30 | 30 |
| | Heating Operating Noise (sound pressure) (H/M/L) at 1m distance | dBA | 42/39/36 | 47/41/36 |
| | Heating Operating Noise (sound power) (H/M/L) | dBA | 57/54/51 | 62/56/51 |
| | Cooling Usable Temperature Range | °C | 21-32 | 21-32 |
| OUTDOOR UNIT | Heating Usable Temperature Range | °C | 15-24 | 15-24 |
| | Dimension (HxWxD) | mm | 550x780x290 | 890x900x320 |
| | Net Weight | kg | 44 | 66 |
| | Compressor Type | - | DC Twin Rotary | DC Twin Rotary |
| | Fan Motor Output | W | 43 | 63 |
| | Cooling Operating Noise (Sound Pressure) (H) at 1m distance | dBA (@spl) | 47 | 48 |
| | Cooling Operating Noise (Sound Power) (H) | dBA (@swl) | 63 | 64 |
| | Heating Operating Noise (Sound Pressure) (H) at 1m distance | dBA (@spl) | 48 | 49 |
| Heating Operating Noise (Sound Power) (H) | dBA (@swl) | 64 | 65 | |
| PIPE SIZE | Cooling Usable Temperature Range | °C | -15~43 | -15~43 |
| | Heating Usable Temperature Range | °C | -20~15 | -20~15 |
| | Liquid Line Ø | mm | 6.4 | 9.5 |
| | Gas Line Ø | mm | 12.7 | 15.9 |
| | Coupler Style | - | Flare | Flare |
| | Drain (Inside Diameter) Ø | mm | VP16 | VP16 |
| | Maximum Length | m | 50 | 50 |
| Chargeless Length | m | 20 | 30 | |
| Maximum Height Difference | m | 30 | 30 | |

Comfort



Inverter
Allows step-less regulation of the air-conditioner's power, which reduces energy consumption and improves comfort.



Hot Start
When using the heater for preheating or defrosting, stops the indoor fan to prevent cold air from being blown into the room.



Auto-turn Louvres
Air outlet grilles move automatically to fill every corner of the room with warm or cool air.



Automatic Cooling/Heating
Automatically switches between cooling and heating mode.



Automatic Air Volume Control
Depending on the difference between the room temperature and the set temperature, switches automatically between High, Low and Very Low.



Dry
Gradually dehumidifies the room to create even greater comfort.

Operational



On/Off Timer
The operation start and stop times can be set with a digital clock.




Cooling Capacity with an Outdoor Temperature of -15°C
Stable cooler operation is possible when the outdoor temperature is as low as -15°C.

Controllers

Wired controller

Backlit wired controller

IntesisHome WiFi Controller

| | | | |
|------------|---|--|---|
| APPEARANCE |  |  |  |
| | MODEL NAME | RBC-AMT32E & RBC-AMS41E | RBC-AMS54E-ES |

Wireless controller kits

| | | | |
|------------|--|---|--|
| APPEARANCE |  |  |  |
| | MODEL NAME | RBC-AX32U(W)-E | RBC-AX33CE |
| REMARKS | For 4-way cassette type | For under ceiling type | Suitable for all models |

COMBINATIONS

| COMBINATIONS | | WIRED | | | WIFI | WIRELESS | | |
|---------------------------------|-----------------|------------|------------|---------------|---------------|----------------|------------|------------|
| | | RBC-AMT32E | RBC-AMS41E | RBC-AMS54E-ES | TO-RC-WIFI-1* | RBC-AX32U(W)-E | RBC-AX33CE | TCB-AX32E2 |
| Compact 4-way Cassette Series 4 | RAV-SM564MUT-E | OK | OK | OK | OK | | | OK |
| | RAV-SM564UTP-E | OK | OK | OK | OK | OK | | OK |
| 4-way Cassette Series 4 | RAV-SM804UTP-E | OK | OK | OK | OK | OK | | OK |
| | RAV-SM1104UTP-E | OK | OK | OK | OK | OK | | OK |
| | RAV-SM1404UTP-E | OK | OK | OK | OK | OK | | OK |
| | RAV-SM1604UTP-E | OK | OK | OK | OK | OK | | OK |
| | RAV-SM1604UTP-E | OK | OK | OK | OK | OK | | OK |
| Duct Series 6 | RAV-SM566BTP-E | OK | OK | OK | OK | | | OK |
| | RAV-SM806BTP-E | OK | OK | OK | OK | | | OK |
| | RAV-SM1106BTP-E | OK | OK | OK | OK | | | OK |
| | RAV-SM1406BTP-E | OK | OK | OK | OK | | | OK |
| Ceiling Series 7 | RAV-SM567CTP-E | OK | OK | OK | OK | | OK | OK |
| | RAV-SM807CTP-E | OK | OK | OK | OK | | OK | OK |
| | RAV-SM1107CTP-E | OK | OK | OK | OK | | OK | OK |
| | RAV-SM1407CTP-E | OK | OK | OK | OK | | OK | OK |
| High-wall Series 6 & 7 | RAV-SM568KRT-A | OK | OK | OK | OK | | | OK |
| | RAV-SM808KRT-A | OK | OK | OK | OK | | | OK |
| | RAV-SM307KRTP-A | OK | OK | OK | OK | | | OK |
| | RAV-SM407KRTP-A | OK | OK | OK | OK | | | OK |

Notes: *TO-RC-WIFI-1 is not compatible with the RBC-AMS54E-ES

SDI – Super Digital Inverter

Very efficient energy consumption

- Keeps down operating costs

Heater operation is possible starting from an outdoor temperature of -20°C (RAV-SP1104AT-A, RAV-SP1404AT-A)

- Creates a comfortable space even during cold winters

Low-noise design. If the outdoor temperature is 30°C or less, operates at under 45 dB

Compatible with pipes up to 75 metres long (RAV-SP1104AT-A, RAV-SP1404AT-A)

- Enables the outdoor unit to be installed out of sight increases installation flexibility

Operation in Power Save Mode enables power peaks to be cut

DI – Digital Inverter

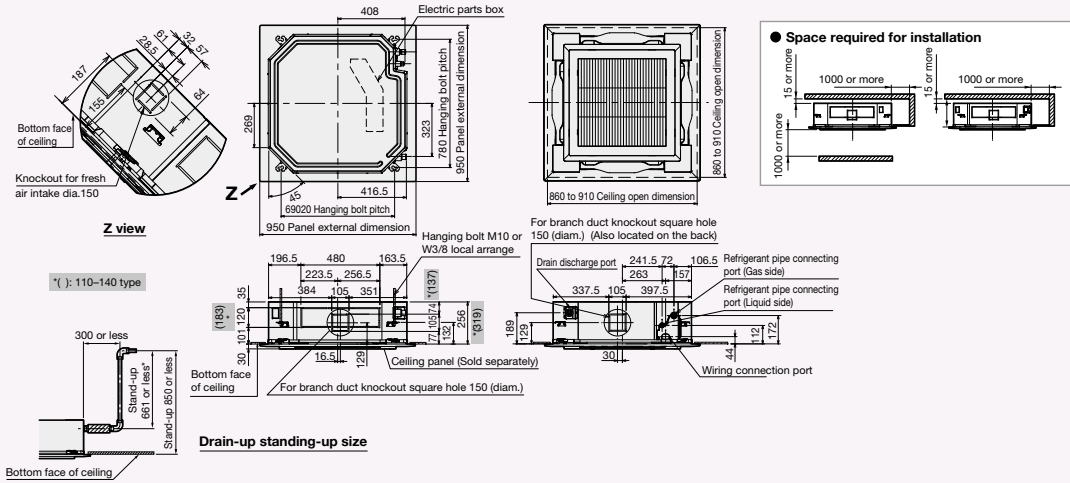
Lightweight and compact outdoor unit

- Reduces installation space and enables a more efficient use of the site
- Keeps down delivery costs
- Easy to install on a wall

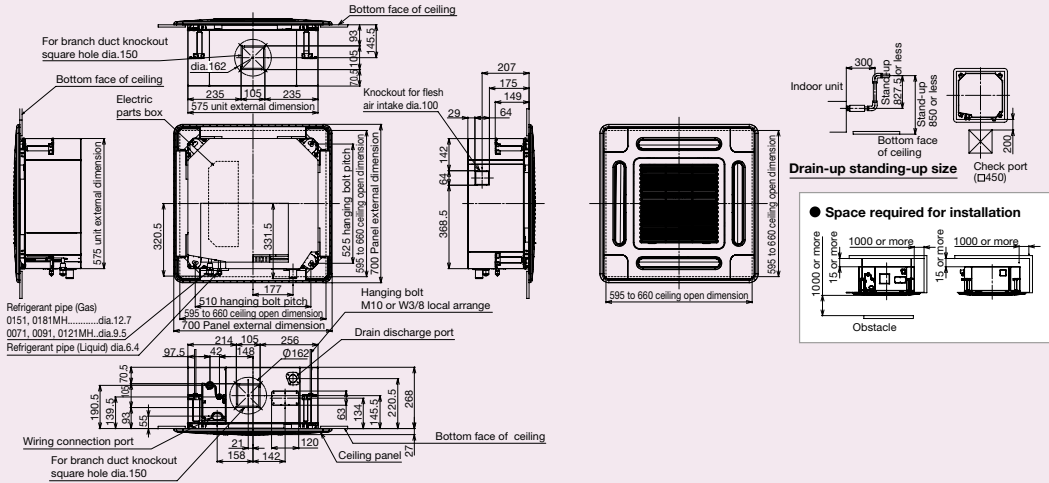


Indoor Units

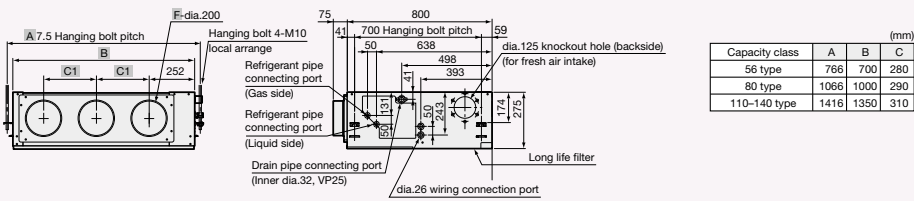
4-way cassette



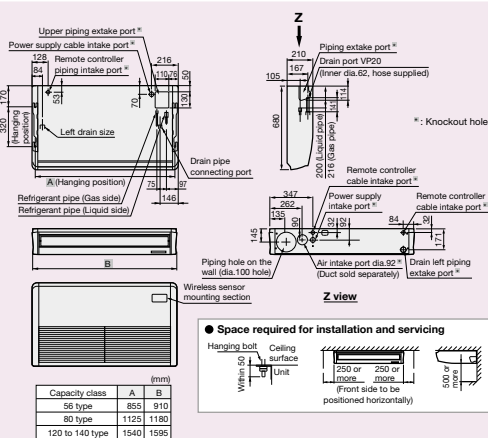
Compact 4-way cassette



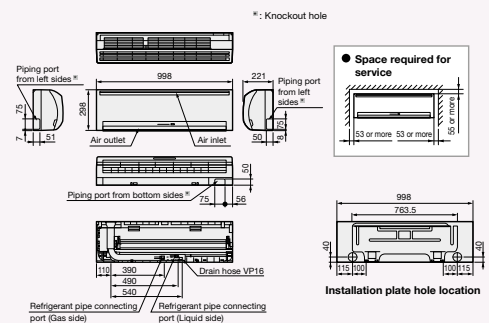
Duct



Ceiling

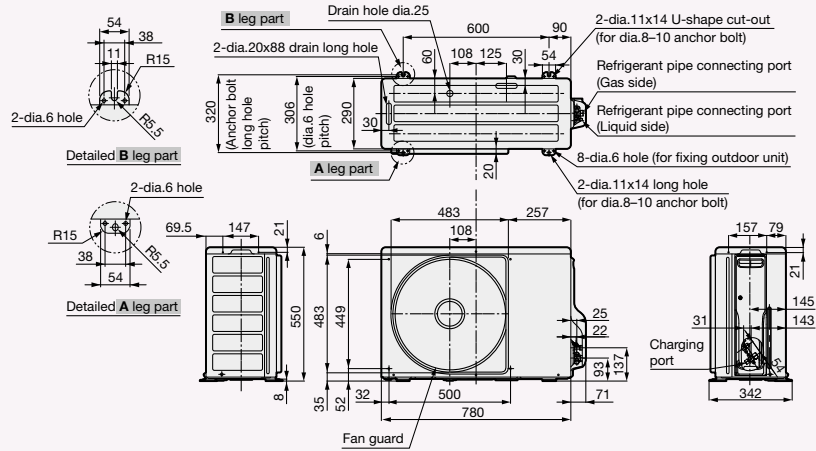


Hi Wall

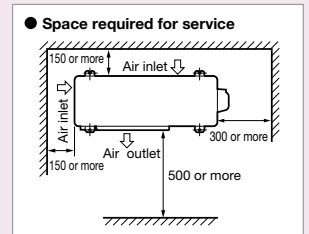
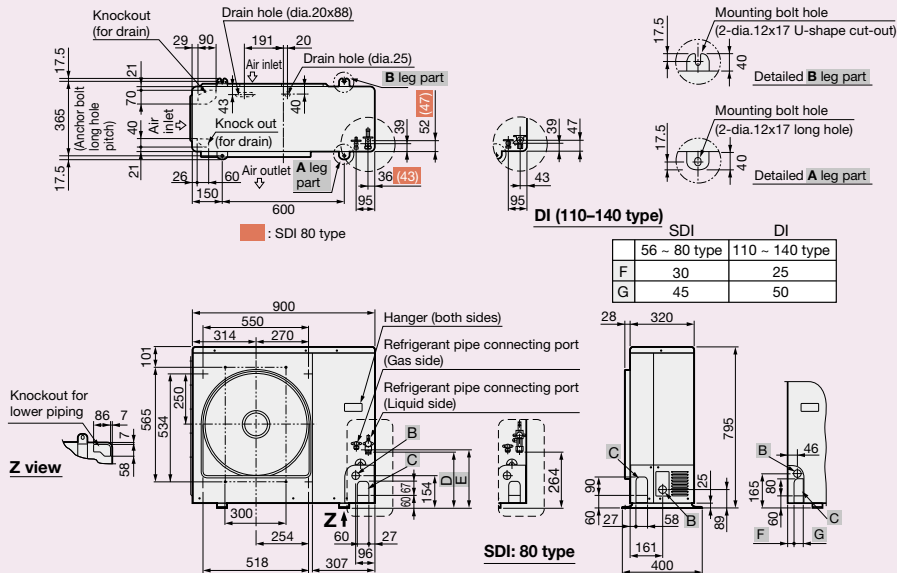


Outdoor Units

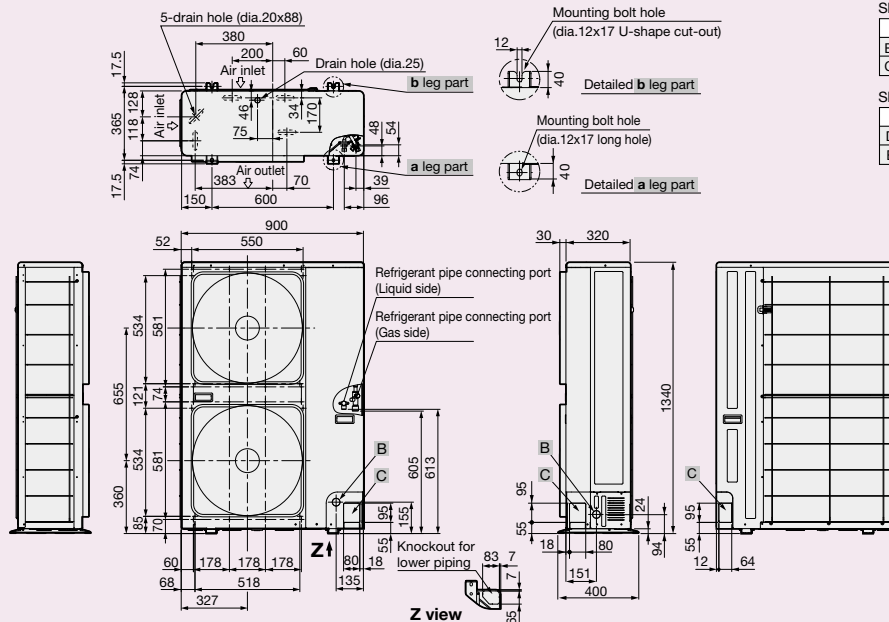
RAV-SM564AT-A1 ~ RAV-SM804AT-A1



RAV-SP564ATP-A1 ~ RAV-SP804ATP-A1, RAV-SM1104ATP-A1 ~ RAV-SM1404ATP-A1



RAV-SP1104AT-A2 ~ RAV-SP1404AT-A2



| SDI / DI | Name | 56-140 type |
|----------|--------------------------|----------------------|
| B | Power supply wiring hole | dia.38 knockout hole |
| C | Piping drawing port | |

| SDI | 56 type | 80 type |
|-----|---------|---------|
| D | 269 | 264 |
| E | 282 | 264 |

AHIC is committed to continuously improving its product to ensure the highest quality and reliability standards, and to meet local regulations and market requirements. All features and specifications are subject to change without prior notice.

Product specifications in this brochure are only indicative and are subject to change. They are not intended to be used in place of the engineering or installation data books.

All images provided in this catalogue are used for illustration purposes only.

Equipment rates in accordance with MEPS 3823.2-2013 E&OE

Cooling and heating capacities mentioned for the products are nominal capacities at standard operation conditions

Part number: 1013-032018
Date: March 2018

Sales and Service 13 COOL (13 2665)

Tenancy 3-4, 15 Corporate Drive,
Heatherton VIC 3202

ABN 37 606 792 456

AU22499

toshiba-aircon.com.au



TOSHIBA
AIR CONDITIONING